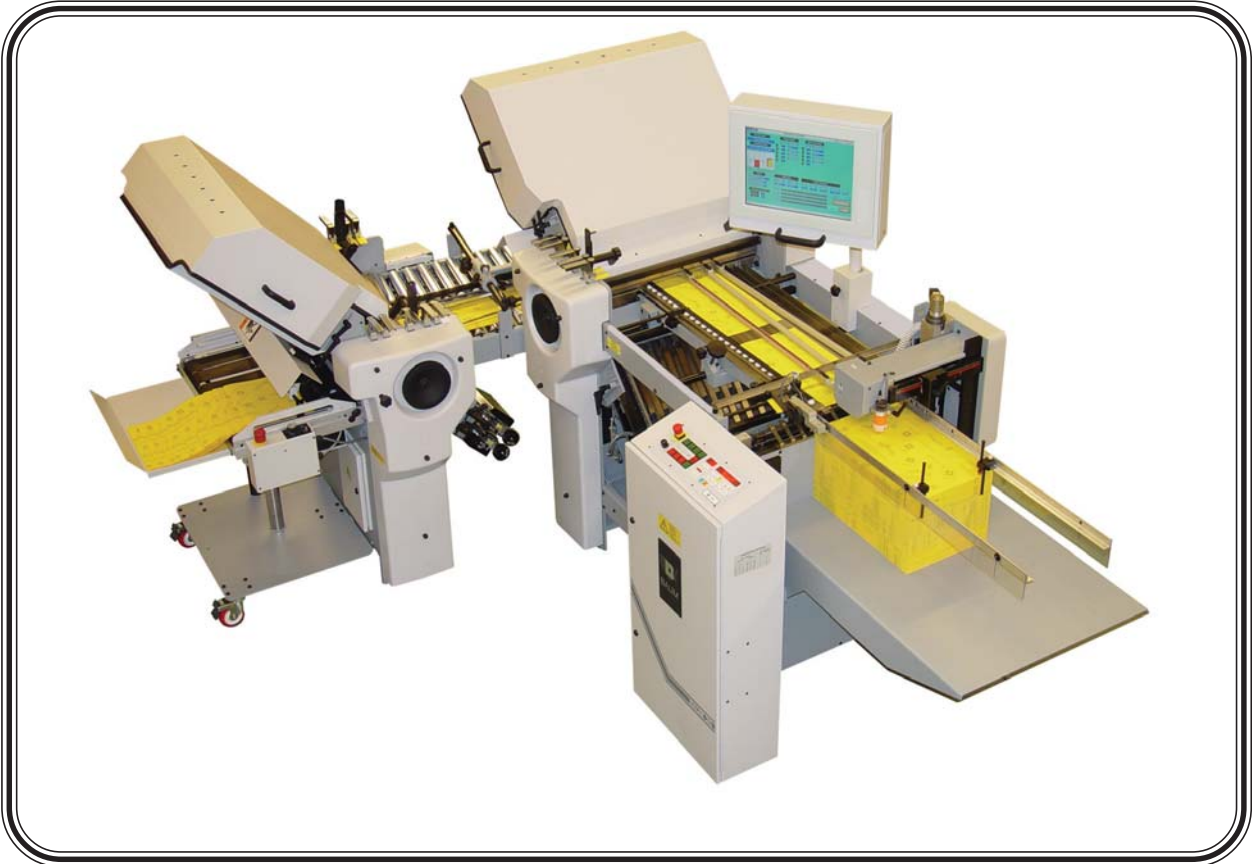


BAUM



BAUM 2020

SOUND COVER INSTALLATION

©2006 BAUMFOLDER CORPORATION
All Rights Reserved

WARNING

- Do not operate this machine without all guarding in place.
- Do not make adjustments or perform maintenance on this machine with power on.
- Keep the machine and the work area clean and free of spills to prevent accidents.
- Be sure to replace any safety decals that may have been detached for any reason.

Baumfolder Corporation reserves the right to make changes in design or to make additions or improvements in its products without imposing any obligation upon itself to install them on its previously manufactured products. It is recommended that modifications to this equipment not be made without the advice and express written consent of Baumfolder Corporation.

BAUM 2020
SOUND COVER PACKAGE
INSTALLATION INSTRUCTIONS

INTRODUCTION

Your Baumfolder Sound Cover Package has been designed to be easily installed in the field by a qualified serviceman or by the user following the detailed instructions contained in this manual.

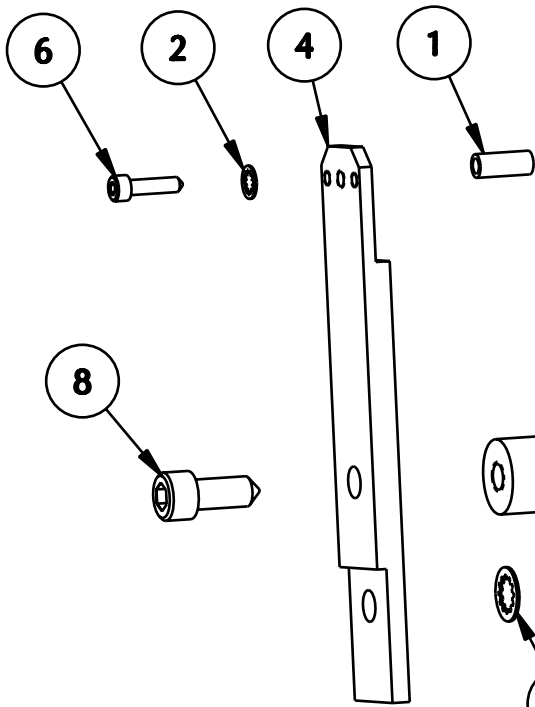


Figure 1

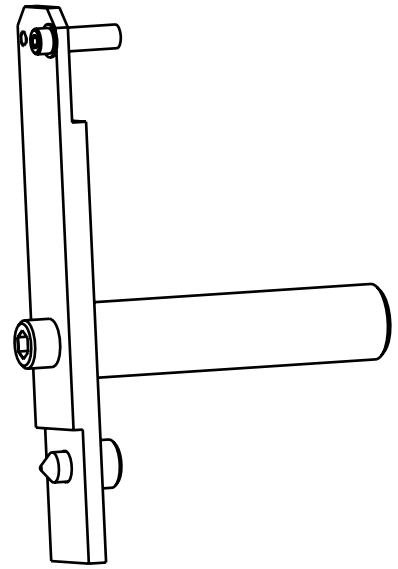


Figure 2

1	HOSE-3/16 ID CLEAR PLASTIC	010-0210	2	·
2	WASHER-LOCK M06 INT TOOTH +	260-304-09-00	2	·
3	WASHER-LOCK M10 INT TOOTH +	260-304-11-00	2	·
4	BRKT-SOUND COVER	261-608-01-00	2	·
5	SHAFT-SOUND COVER MTG.	261-611-01-00	2	·
6	SCREW-SOC HD CAP M5X20 BLK	262-491-08-00	2	·
7	SCREW-SOC HD CAP M10X16 BLK	262-493-01-00	2	·
8	SCREW-SOC HD CAP M10X25 BLK	262-493-03-00	2	·

Assemble the sound cover mounting assemblies as shown in figures 1 & 2 above.



Figure 3

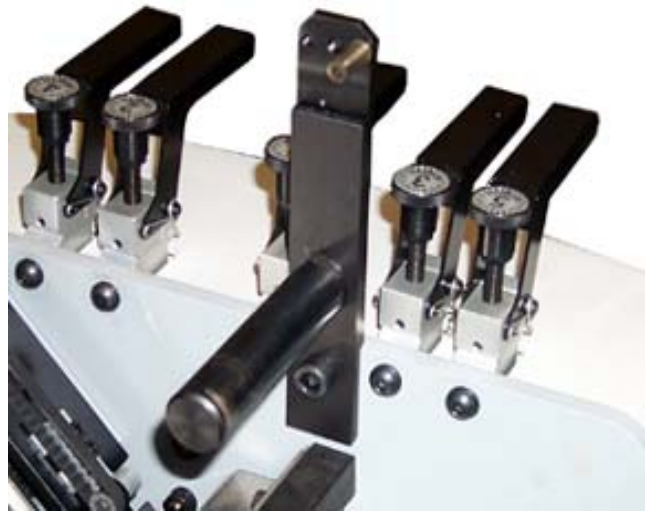


Figure 4

Mount one sound cover mounting assembly to the right hand frame between gapsets #1 and #3 using the empty taped hole shown in Figure 3. The bracket assembly should be installed on the inside of the frame as shown in Figure 4. Use (1) 262-493-01-00 socket head cap screw (M10 x 16) for mounting the bracket assembly. Then mount the second assembly to the left hand side frame between gapsets #1 and #3 using the empty taped hole.



Figure 5

Install the bottom plate assembly by sliding the outer edges into the grooves located in the fold pan rails shown in Figure 5.



Figure 6

Slide the bottom plate in until it stops as shown in Figure 6. No fasteners or adjustments are required.

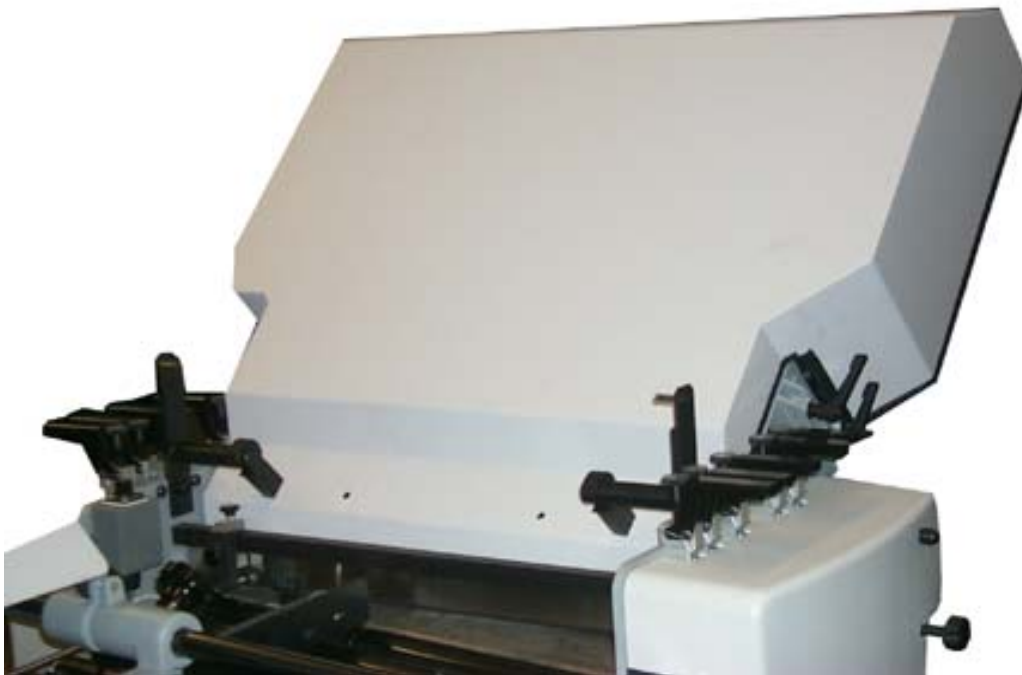


Figure 7

Install the upper sound cover assembly by sliding mounting collars over the stub shafts on the mounting bracket assemblies as shown in Figure 7. Lower cover until it rests on bottom plate assembly. No fasteners or adjustments are required.