

BAUM INFORMER

Volume 1, Issue 6

October 2009

BAUM VERY BUSY TRAINING DEALERS

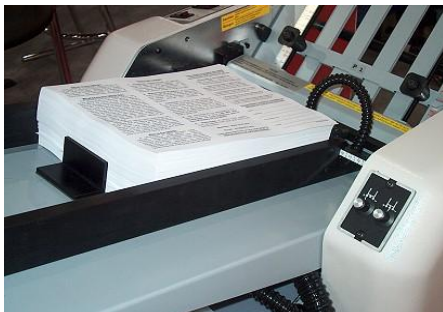


Baum has established a very aggressive schedule for training its dealer's service technicians in the installation and servicing of the new BaumPrint 18 small offset press. Current plans call for three levels of Service Training to be conducted at the Baumfolder factory in Sidney, Ohio.

The first school was completed in October with additional classes currently scheduled through September 2010.

Baum takes the training of its authorized dealers very seriously and has taken all the necessary steps to insure we can install and service this new product and satisfy our customers' requirements.

For more information concerning the BaumPrint 18 Press and who your authorized BaumPrint dealer is the contact Baum Sales at 800-543-6107.



Baum 714 XLT with TurboWheel

Very Special Price for Baum Flexifold



Baum has a limited number of factory refurbished Flexifold air feed folders with short pile feeders available at a very special price. You can view a brochure of the Baum Flexifold on the Baumfolder web site at www.baumfolder.com

These machines have been completely checked out by the same Baumfolder assembly personnel who build new Flexifolds. These specially priced units carry a one year warranty on parts. These are truly a bargain for anyone looking to purchase a heavy duty automated air feed folder.

For more information and pricing about these special priced Baum Flexifold folders contact your local Baum dealer or call Baum sales at 800-543-6107.

NEW TURBO WHEEL LIVES UP TO ITS PROMISE

We have received numerous reports back from recent purchasers of the Baum 714XLT air feed table top folder and our Baum Dealers praising the improvement in feeding as the result of our new Turbo wheel Feeding system.

If you own an older model Baum Table Top or are thinking about purchasing your first air Feed Table Top folder you really need to check out the Baum 714XLT with the Turbo wheel. You won't believe how superior this new feeding system is compared to older designs until you have seen it in operation.

The new Turbo wheel allows you to feed a wider range in stock and load larger lifts of paper on the feeder. This results in increased versatility and higher production rates which means higher profits to the 714XLT owner.

For more info about the new turbo wheel contact your local authorized Baum Dealer or call Baum sales at 800-543-6107.

CHECK OUT OUR MONTHLY PARTS SPECIAL



Baumfolder parts has a different parts special each month which offers you the opportunity to save an considerable amount of money if you take advantage of the special offer.

To learn about the current special go to the Baumfolder web site www.baumfolder.com or call Baumfolder parts at 800-543-6107.

Ask Jim



About this column. Jim Brandewie has many years experience operating, building, rebuilding and most recently in selling Baum folders. In this column Jim will select a commonly asked question concerning the operation of one of our Baum folders that was received from our customers and reply to it. If you would like to submit a question to Jim you can e-mail him at james.brandewie@baumfolder.com

Dear Jim:

Can you explain to me what is the advantage of buying a paper cutter knife made with high speed steel compared to one made with standard steel?

Sam from Boston

Dear Sam,

Although the high speed steel knife costs about double the cost of the standard steel knife it will last three to five times longer between sharpening than the standard knife.

The reduction in down time to due to the changing of blades and the reduction in the cost of knife sharpening along with increased knife life can easily offset the higher initial cost.

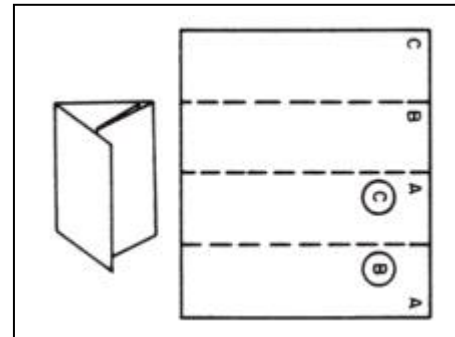
Baum supplies high speed knives at no additional cost on its BaumCut 26.4 & 31.5 cutters.

Jim

FEATURED IMPOSITION of the MONTH

We will be featuring a different imposition that can be folded on your Baum floor model folder in each issue of the Baum Informer. This month's imposition is a "4 panel roll fold".

These instructions are written for a folder with gap sets but could be modified for an older machine with manual roll settings.



**8-PAGE OVER & OVER FOLD
(4 panel roll fold)**

- 1) Set the fold stop in the #1 fold plate of the parallel section for $\frac{3}{4}$ of the length of the sheet being folded plus $\frac{3}{16}$ inch.
- 2) Set the fold stop in the #2 fold plate of the parallel section at $\frac{1}{4}$ of the sheet being folded.
- 3) Close the deflector on the #3 plate of the parallel section.
- 4) Set the fold stop in the #4 fold plate of the parallel section for $\frac{1}{4}$ of the length of the sheet being folded minus $\frac{1}{16}$ inch.
- 5) Inset one thickness of the paper being folded in the # 1, #2, #3, and #4 gap sets of the parallel section. (both sides)
- 7) Inset four thickness of the paper being folded in the #5 gap sets of the parallel section. (both sides)

Additional impositions can be found on the Baumfolder web site at www.baumfolder.com