

BAUM INFORMER

Volume 1, Issue 3

July 2009



PRINT 09 IS COMING FAST

Make sure that the **Baum booth 4060** is a one of your first stops.

If you've heard that it isn't worth your while to come to this year's Print show that is certainly not true.

We will be introducing some very exciting new products and showing some new innovative ideas to better utilize your existing equipment.

Besides the new product introductions, we will show the latest in manual and automated floor model folders along with the i-fold tutorial information system. We will also feature the latest technology in Table top folders, Paper Cutters, and Drills.

In addition to the Baum booth we will have Baum equipment located in a number of other locations thru out the show hall demonstrating solutions to make your folder more versatile and more productive.

Now is the time to start planning for the future of your company. Now that the economy is starting to show signs of improvement you certainly don't want to find your selves on the side line while your competitors take advantage of the new technology and ideas and leave you behind as they cross the finish line as the winner.

Watch for the August issue of the Baum Informer to be posted as it will have more specific information about what will be shown at Print.

PRODUCT VIDEOS NOW AVAILABLE ON WEB SITE

Baum now has a number of product videos available on the Baumfolder web site at www.baumfolder.com.

The following is a list of videos currently available but new ones are being added on a regular basis:

Baum i-fold
BaumCut 31.5: Step and repeat video
Baum Drills: Stationary and moveable table
714XLT 8-page connected to 714XLT parallel
Baum 20 AutoSet Pile feed folder
BAUM 30 continuous with preslitters
Baum K20 Knife folder
AutoBaum B12

To view these videos;

- 1) Go to Baumfolder web site www.baumfolder.com
- 2) Click on products on right side of the home page
- 3) Select the type of products (example automated FM folder)
- 4) Select the model (example Baum 20 Autoset Pile)
- 5) On bottom left hand corner of Baum 20 Autoset screen you will see **view product video.**
- 6) Click on this and you will load the video for you to see.

If you have difficulty in locating these screens or have any questions contact Baum Sales at (800) 543-6107

CHECK OUT OUR MONTHLY PARTS SPECIAL



Baumfolder parts has a different parts special each month which offers you the opportunity to save an considerable amount of money if you take advantage of the special offer.

To learn about the current special go to the Baumfolder web site www.baumfolder.com or call Baumfolder parts at 800-543-6107.

Ask Jim



About this column. Jim Brandewie has many years experience operating, building, rebuilding and most recently in selling Baum folders. In this column Jim will select a commonly asked question concerning the operation of one of our Baum folders that was received from our customers and reply to it. If you would like to submit a question to Jim you can e-mail him at james.brandewie@baumfolder.com

Unfortunately due to the volume of questions Jim cannot reply individually to every question submitted to him.

Dear Jim:

I recently received a flyer talking about a **Turbo Wheel Upgrade Kit** for the Baum 714 Table Top Folder.

I have an older 714 and I wondered if this would fit my folder and how difficult it is to install?

RB from Texas

First we must determine the age of your folder to make sure the Turbo wheel can be installed on your folder. You will need to locate the serial number plate on your folder and see which model 714 you have. If the serial number plate says it is a 714XLT you can install this upgrade. If you can't find the serial plate or you aren't sure contact the Baumfolder Parts Department and they can help you.

As far how difficult it is to install the Upgrade-Kit you can review the set by step instructions by going to the Baumfolder Web site www.baumfolder.com and clicking on Technical support. When the technical support page opens up select something to use sheets. When that page opens up scroll down to Table Top Folders and select turbo wheel upgrade kit instructions. As you will see it isn't that difficult but if it seems too difficult to do yourself you might want to contact your local Baum dealer and have them do this for you.

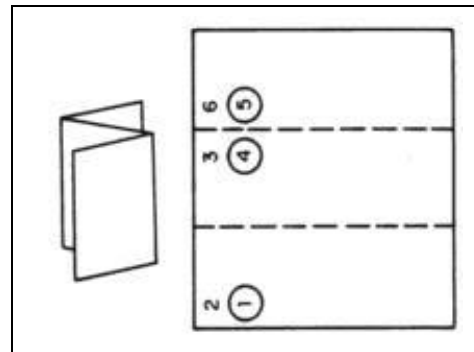
You will note that on the page of **something you can use** sheets there is a lot of information available for you to use.

To order your Turbo Wheel Kit call out Parts Department at 800-543-6107

FEATURED IMPOSITION of the MONTH

We will be featuring a different imposition that can be folded on your Baum floor model folder in each issue of the Baum Informer. This month's imposition is a "6-page accordion" which is also known as a "Z' fold.

These instructions are written for a folder with gap sets but could be modified for an older machine with manual roll settings.



6-Page Accordion (Z Fold)

- 1) Set the fold stop in the #1 fold plate for $\frac{1}{3}$ of the length of the sheet being folded.
- 2) Set the fold stop in the #2 fold plate for $\frac{1}{3}$ of the length of the sheet being folded.
- 3) Close the deflector on the #3 and #4 plate. (if you have a #4 plate).
- 4) Insert one thickness of paper you are going to fold in the #1 and #2 gap sets (both sides)
- 5) Inset two thickness of paper you are going to fold in the #3, #4 and #5 gap sets (both sides)

Additional impositions can be found on the Baumfolder web site at www.baumfolder.com . Click on Technical Support and select something to use sheets.

**SEE YOU AT PRINT 09
IN CHICAGO SEPTEMBER 11-16
AT THE BAUM BOOTH #4060**